



# CY2022 ANNUAL REPORT

*January 1, 2022—December 31, 2022*

PRINCE WILLIAM COUNTY  
FIRE & RESCUE SYSTEM



| [fireandrescuesystem.pwcva.gov](http://fireandrescuesystem.pwcva.gov)

| [pwcva.gov/departments/fire-rescue](http://pwcva.gov/departments/fire-rescue)

# CONTENTS



MISSION, VISION, VALUES .....	3
<b>MESSAGE FROM THE CHIEF</b> .....	4
CHIEF KEEN RETIRES .....	5
<b>AT A GLANCE</b> .....	7
FIRE & RESCUE SYSTEM SECTIONS .....	8
<b>VOLUNTEER CHIEFS</b> .....	9
QUICK FACTS .....	10
<b>FIRE &amp; RESCUE STATIONS</b> .....	11
ACCOMPLISHMENTS .....	13
<b>AWARDS</b> .....	24
APPARATUS .....	26
<b>COMMUNITY SAFETY &amp; ENGAGEMENT</b> .....	32
IN MEMORY OF .....	35
<b>CONTACTS</b> .....	37
JOIN US .....	38

C

Y

2

0

2

2



# PRINCE WILLIAM

Fire & Rescue System

## MISSION STATEMENT

To protect and support our community through education, prevention and emergency response.

## VISION STATEMENT

The Prince William County Fire and Rescue System is comprised of dedicated volunteer and career members who strive to provide exceptional services through the pursuit of inclusion, innovation and involvement.

## VALUES STATEMENT



### Integrity

We will always demonstrate the utmost honesty by upholding our principles at all times and being accountable for our actions.



### Excellence

We will surpass the standard to achieve the absolute best in all that we do.



### Pride

We will share an identity that fosters a culture of inclusion, confidence, honor and respect.



The Prince William County Fire and Rescue System (FRS) is a combination fire and rescue system comprising volunteer and career members. The FRS consists of nine agencies that strive to improve the quality of life in Prince William County, one of the fastest-growing counties in the United States. The FRS is an essential part of the County's Strategic and Comprehensive Plans that keep the County a safe and secure community. We accomplish this by working with all County agencies to provide education, prevention, and emergency response services.

This annual report for Calendar Year 2022 (CY22) is a comprehensive document outlining the FRS's accomplishments that were achieved this past year. As the nation recovers from the pandemic threat, FRS members continue to operate with new challenges. Supply chain issues, other economic burdens, and increased demand for services weighed heavily upon the system. Fire and Rescue members, both

volunteer and career, faced these challenges head-on as additional hours were required of many. Despite this challenging environment, FRS members continued to report for duty to fulfill their responsibilities. Volunteer and career departments of the system work to retain their members and recruit and train a new force of brave men and women to answer the call of duty.

In closing, I would like to thank all the members of the FRS for their continued dedication and commitment to providing service to the community. I would also like to thank the Board of County Supervisors, the County Executive, and all the other County agencies that have continued to support the FRS as we perform our mission, follow our vision, and accomplish our goals.

Sincerely,

James E. Forgo  
Acting System Chief





# PRINCE WILLIAM | CHIEF KEEN RETIRES

Fire & Rescue System



This year on August 31, 2022, Chief Tim Keen retired from the fire and rescue service after 40 years of service. Chief Keen began his career as a volunteer in Prince William County and served at every rank within the Department. He has worked in various sections within the Department to include Operations, Training, Planning, Emergency Medical Services (EMS), Health & Safety, Systems Support, and Office of the Chief. During his tenure he oversaw numerous programs and championed new initiatives. Some of these programs and initiatives were:

- ◆ First nationwide Candidate Physical Ability Test (CPAT) facility
- ◆ Infection Control, Behavioral Health, and 1582 Medical Physical Programs
- ◆ Implementation of the Department's Accredited Paramedic Program
- ◆ Implementation of the current Computer Aided Dispatch (CAD) System and Automatic Vehicle Locator (AVL)
- ◆ Volunteer Recruitment and Retention Program
- ◆ Implementation of Chapter 9.2
- ◆ New Public Safety Pay Scales
- ◆ Restructuring of the Fire and Rescue System to provide 24-hour/ 7 days a week coverage to Prince William County

He was able to be a successful champion and advocate for these programs and initiatives because of his collaboration with other County agencies. He viewed the Fire and Rescue System as part of a larger team within County government with the responsibility of not only providing services to the community but ensuring team members are treated as our most valuable resource.

Chief Keen was also the ultimate role model for all FRS members, as well as County employees. During his career he ensured that in all the positions he served that he provided open communication, worked as part of a team, and held himself and those around him accountable for their actions. He provided professional development throughout his career and instilled strong leadership characteristics to all ranks in the System. He was a role model who personally demonstrated the integrity, work ethic, and genuine concern for the citizens that inspired public confidence and motivated FRS members and County employees to do their best.

Chief Keen was also a leader within his peers of the Northern Virginia (NOVA) region. He was the chair of the NOVA Chiefs and served in this capacity during the COVID-19 pandemic. Under his leadership, the NOVA Chiefs coordinated their response to ensure all communities in and around the NOVA region had the necessary resources to respond to the pandemic.



# PRINCE WILLIAM | CHIEF KEEN RETIRES

Fire & Rescue System

Prince William County Board of Supervisor Chair Ann Wheeler stated, "We appreciate Chief Keen's 40 years of service with the county. He provided leadership to the second largest Fire and Rescue System in the Commonwealth during some challenging and dynamic times, not the least of those being the COVID-19 pandemic. We commend his passion for public service and commitment to our community."

Acting County Executive Elijah Johnson stated, "Chief Keen has dedicated his entire adult life and professional career to serving the citizens of Prince William County. We are grateful for his stewardship of the department and his efforts to continue the development of our world-class Fire and Rescue System."



## AT A GLANCE

### POPULATION



**492,576**

In 2022, the estimated population for Prince William County was 492,576, an increase from 482,204 in 2020.

Source: Prince William DoIT Geospatial Technology Services

## BOARD OF COUNTY SUPERVISORS

**Ann Wheeler**  
*Chair At-Large*

**Andrea O. Bailey**  
*Potomac District*  
*Vice Chair*

**Victor S. Angry**  
*Neabsco District*

**Kenny A. Boddye**  
*Occoquan District*

**Pete Candland**  
*Gainesville District*

**Margaret Franklin**  
*Woodbridge District*

**Jeanine M. Lawson**  
*Brentsville District*

**Yesli I. Vega**  
*Coles District*

---

**Elijah Johnson**  
*Acting County Executive*



C

**OFFICE OF THE CHIEF**

**ACTING CHIEF - FIRE & RESCUE SYSTEM ..... James Forgo**

**DEPUTY CHIEF - FIRE & RESCUE SYSTEM ..... Vacant**

**ASSISTANT CHIEF - COMMUNITY SAFETY..... Matt Smolsky**

- ◆ Community Relations
- ◆ Fire Marshal's Office
- ◆ Office of Emergency Management

Y

**ASSISTANT CHIEF - OPERATIONS ..... Kurt Heindricks**

- ◆ Emergency Medical Services
- ◆ Fire & Rescue Operations
- ◆ Special Operations

2

0

**ASSISTANT CHIEF - SYSTEMS SUPPORT ..... Lance McClintock**

- ◆ Administrative Services
- ◆ Communications & IT (CIT)
- ◆ Health and Safety
- ◆ Personnel
- ◆ Planning and Logistics
- ◆ Training

2

2



## VOLUNTEER CHIEFS

### **Chief Dale Trammell**

*Buckhall Volunteer Fire Department*

703-792-5016

### **Chief Chris Hool**

*Dale City Volunteer Fire Department*

703-792-5010

### **Chief Nick Nanna**

*Dumfries Triangle Volunteer Fire Department*

703-792-5003/5017

### **Chief Carl Hood**

*Lake Jackson Volunteer Fire Department*

703-792-5007

### **Chief Connor Schiro**

*Nokesville Volunteer Fire and Rescue Department*

703-792-5005/5025

### **Chief Wayne Haight**

*Occoquan-Woodbridge-Lorton Volunteer Fire Department*

703-792-5002/5012/5014

### **Chief Mark Harlow**

*Stone House Volunteer Fire Department and Rescue Squad*

703-792-5011

### **Chief Jerry Deem**

*Yorkshire Volunteer Fire Department*

703-792-5008



C

Y

2

0

2

2

## PERSONNEL

702	Uniform
76	Civilian
499	Volunteer (Operational)

## INCIDENTS

60,716	TOTAL INCIDENT RESPONSES
15,166	Fire Incidents
45,507	EMS Incidents
43	Hazmat Incidents



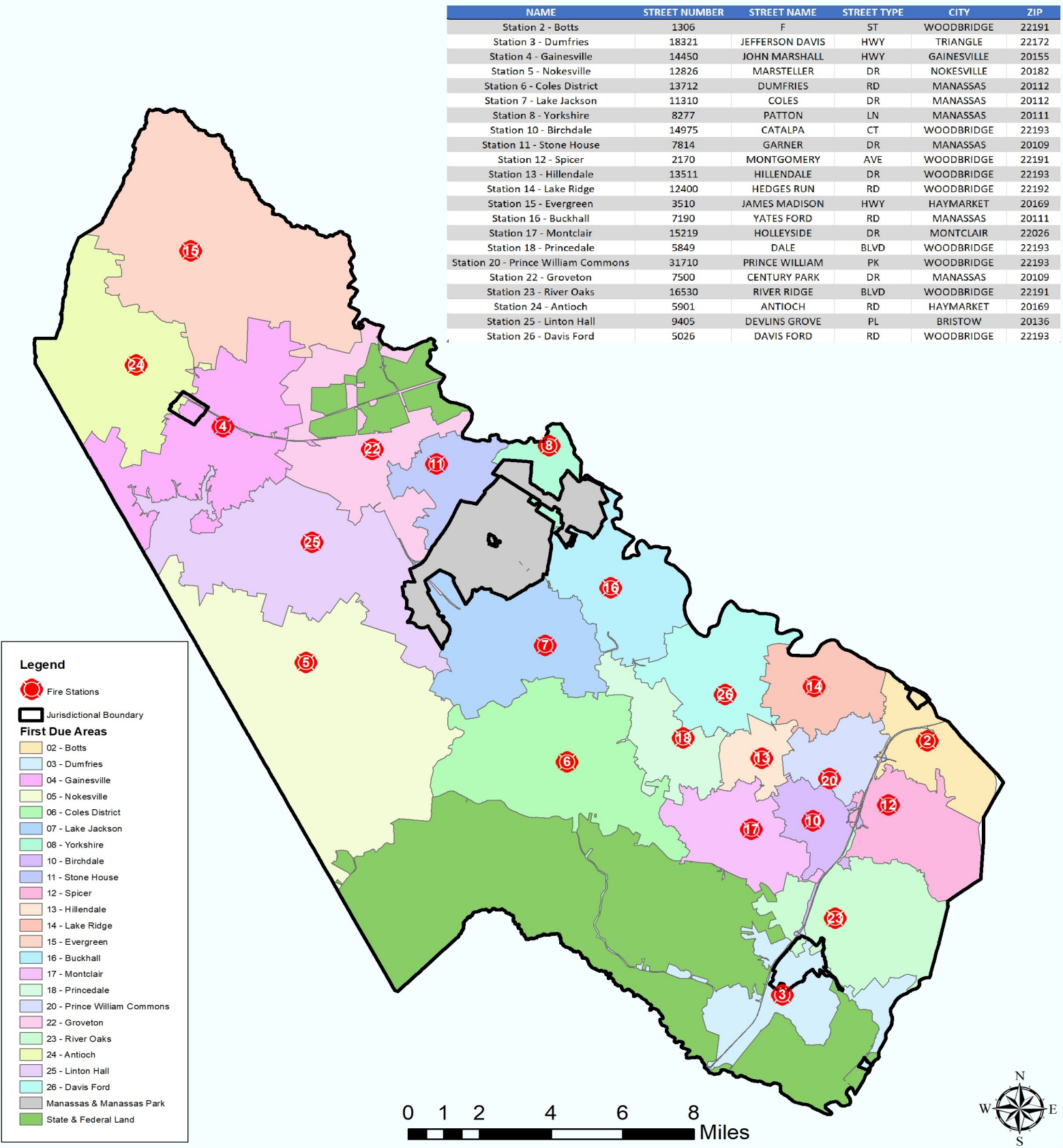




# PRINCE WILLIAM | FIRE & RESCUE STATIONS

## Fire & Rescue System

NAME	STREET NUMBER	STREET NAME	STREET TYPE	CITY	ZIP
Station 2 - Botts	1306	F	ST	WOODBIDGE	22191
Station 3 - Dumfries	18321	JEFFERSON DAVIS	HWY	TRIANGLE	22172
Station 4 - Gainesville	14450	JOHN MARSHALL	HWY	GAINESVILLE	20155
Station 5 - Nokesville	12826	MARSTELLER	DR	NOKESVILLE	20182
Station 6 - Coles District	13712	DUMFRIES	RD	MANASSAS	20112
Station 7 - Lake Jackson	11310	COLES	DR	MANASSAS	20112
Station 8 - Yorkshire	8277	PATTON	LN	MANASSAS	20111
Station 10 - Birchdale	14975	CATALPA	CT	WOODBIDGE	22193
Station 11 - Stone House	7814	GARNER	DR	MANASSAS	20109
Station 12 - Spicer	2170	MONTGOMERY	AVE	WOODBIDGE	22191
Station 13 - Hillendale	13511	HILLEDALE	DR	WOODBIDGE	22193
Station 14 - Lake Ridge	12400	HEDGES RUN	RD	WOODBIDGE	22192
Station 15 - Evergreen	3510	JAMES MADISON	HWY	HAYMARKET	20169
Station 16 - Buckhall	7190	YATES FORD	RD	MANASSAS	20111
Station 17 - Montclair	15219	HOLLEYSIDE	DR	MONTCLAIR	22026
Station 18 - Prinedale	5849	DALE	BLVD	WOODBIDGE	22193
Station 20 - Prince William Commons	31710	PRINCE WILLIAM	PK	WOODBIDGE	22193
Station 22 - Groveton	7500	CENTURY PARK	DR	MANASSAS	20109
Station 23 - River Oaks	16530	RIVER RIDGE	BLVD	WOODBIDGE	22191
Station 24 - Antioch	5901	ANTIOCH	RD	HAYMARKET	20169
Station 25 - Linton Hall	9405	DEVILINS GROVE	PL	BRISTOW	20136
Station 26 - Davis Ford	5026	DAVIS FORD	RD	WOODBIDGE	22193







**Prince William County Fire & Rescue System  
1 County Complex Court  
Prince William , Virginia 22192  
703-792-6800**

**Station 2 - O.W.L. VFD**  
703-792-5002

**Station 14 - O.W.L VFD**  
703-792-5014

**Station 3 - Dumfries Triangle VFD**  
703-792-5003

**Station 15 - Evergreen**  
703-792-5015

**Station 4 - Gainesville**  
703-792-5004

**Station 16 - Buckhall VFD**  
703-792-5016

**Station 5 - Nokesville VFD**  
703-792-5005

**Station 17 - Montclair**  
703-792-5017

**Station 6 - Coles District**  
703-792-5006

**Station 18 - Dale City VFD**  
703-792-5018

**Station 7 - Lake Jackson VFD**  
703-792-5007

**Station 20 - Dale City VFD**  
703-792-5020

**Station 8 - Yorkshire VFD**  
703-792-5008

**Station 22 - Groveton**  
703-792-5022

**Station 10 - Dale City VFD**  
703-792-5010

**Station 23 - River Oaks**  
703-792-5023

**Station 11 - Stone House VFD**  
703-792-5011

**Station 24 - Antioch**  
703-792-5024

**Station 12 - O.W.L. VFD**  
703-792-5012

**Station 25 - Nokesville VFD**  
703-792-5025

**Station 13 - Dale City VFD**  
703-792-5013

**Station 26 - Bacon Race**  
703-792-5026



## OPERATIONS

### Telestaff DFR Staffing Scheduling Software Outage

On December 11, 2021, DFR's staffing and timekeeping software, Kronos TeleStaff, was taken offline by third party actors that affected all users across the United States. It did not go back online and available for use until January 5, 2022. With no warning, the software DFR has used since 1999 became unavailable to assist with staffing Operations Section emergency response units of 22 engines, 4 trucks, 3 rescues, 4 tankers, 15 medic units, 4 battalion chiefs, 2 safeties and a shift commander requiring a minimum of 142 personnel. In less than one day, by December 12th, the Staffing Office had devised a work around without impacting DFR's ability to staff all units and continue to provide service without interruption or operational impact. Shortly thereafter, DFR Payroll instituted manual payroll activities where no employee was not paid in a timely manner. DFR transitioned back to using Kronos Telestaff for staffing and timekeeping after a plan was developed and implemented on February 12, 2022.

### January 2022 Snowstorm Response

A significant snowstorm impacted Prince William County with snowfall totals totaling 8-14" throughout the County. The snow began to fall on Monday, January 3, 2022, at approximately 0600hrs and ended mid to late afternoon that day. The snow was heavy and wet. This caused branches to break and trees to fall bringing down powerlines and blocking roads.

For the reporting period of January 03, 2022, 0500hrs through January 04, 2022, 0500hrs, the Fire and Rescue System (FRS) was dispatched to 501 incidents with 1-95 being hazards during this period. Typical daily incident totals are normally approximately 150 incidents. In some instances, it took a significant amount of time for units to arrive on scene due to conditions. There were several incidents that took hours to resolve.

For the reporting period of January 04, 2022, 0500hrs through January 05, 2022, 0500hrs, the FRS was dispatched to 309 incidents with 196 being EMS and auto accidents. Due to high call volume and the impact of the COVID-19 on local hospitals, there was a prolonged wait time for transport units to drop off patients. As a result, there was a significant dispatch of mutual aid to the County and several times there were calls pending with a transport unit unavailable.

To alleviate this pressure, additional medic units were placed in service by a combination of personnel being detailed from Training and volunteer personnel. This allowed the staffing of additional transport units (M502, M510, M511B, M513, M519, M522B, A526B) to relieve pressure on mutual aid resources and to account for longer wait times at hospitals.



In addition, early on January 4, 2022, units from Battalion 503 and Dumfries-Triangle VFD self-dispatched to Interstate 95 after observing several pending calls on their stations' CAD monitors. Multiple victims were supplied with food, water, blankets, and medical aid. Several diabetic patients were assessed due to the extended period without food. Emergency Medical Staff conducted numerous wellness checks. Utilities with plows assisted with plowing operations to open I-95 off ramps.

## **EMS Operations**

### **1 and 1 Staffing Initiative**

Beginning August 2, 2021, the 1 and 1 staffing initiative was implemented Countywide for the Department of Fire and Rescue and select volunteer fire and rescue companies, at their request. This allows for advanced life support (ALS) staffed engines (and other suppression units during flex staffing) to begin to provide prompt advanced life support care upon arrival at an emergency medical incident while a more distant dispatched medic unit is enroute to an incident. ALS response times have decreased and staffed advanced life support units have increased from 17 to 32. Increased ALS response times improved by 6% which allowed for the Fire and Rescue System to meet the goal of an ALS unit on scene in 8 minutes or less 90% of the time. The redistribution of existing personnel and resources with the limited purchase of refrigerated medication boxes enabled a historic improvement with little monetary investment. Meeting this goal is a first in County history.

### **Advanced Life Support Equipment Placed on Engines**

Advanced life support medication boxes and Lifepak 15 monitor/defibrillators were placed on engines providing ALS providers with the proper equipment needed to provide advance life support care for citizens.

### **Protocol Update**

A comprehensive protocol update took place this past year. This update allows for new protocols, procedures, and medications to provide improved care to citizens.

### **EMS Provider Peer Review Update**

The Peer review revamp provides for a team of 3 personnel per shift to review EMS incidents and place them in a SharePoint database to allow virtual collaboration. This database allows for 100% reviews of calls ranging from cardiac arrests, heart attacks (STEMI), strokes, pediatric high acuity calls, and high acuity trauma transports.

### **EMS New Equipment Bags**

New EMS bags were ordered for all System first out units. The goal for purchasing them is reducing unneeded duplication of equipment and to remove excess equipment to lower the overall weight and amount of equipment carried on calls. The contents of the bags are redesigned to treat ideally one, but a maximum of two ALS patients before restocking. The airway and aid bag are in the process of being placed in service. A new medication bag is being piloted in the field for potential purchase next FY.

### **EMS Week Provider Education**

During this year's EMS Week, EMS Operations in conjunction with community partners, educated System providers on self-care and other topics during EMS week. The topics included:



- ◆ De-escalation Techniques for Responders
- ◆ Local Mental Health Resources for the Responder
- ◆ Assisting Trauma Patients When Injury Effects Last Weeks or Years
- ◆ Wills, Powers of Attorney, Guardianship Documents for Responders

## Increased Clinical Rotation Sites

Relationships were built with INOVA health care system and HCA healthcare system to increase the number of clinical sites for our Paramedic and EMT training programs. These relationships give students opportunities to learn and participate in hospital setting procedures.

## Special Operations

1st full Technical Rescue Technician (TRT) School to include entrance exam to identify most qualified candidates.

14 Technical Rescue Technicians graduated from the 2022 PWCFRS TRT School this past June. They completed approximately 232 hours of training and obtained the following certifications through the Technician Level:

- |                            |       |
|----------------------------|-------|
| ◆ Rope Rescue              | 32hrs |
| ◆ Confined Space Rescue    | 32hrs |
| ◆ Trench Rescue            | 40hrs |
| ◆ Vehicle Rescue           | 24hrs |
| ◆ Collapse Rescue          | 64hrs |
| ◆ Surface Water Rescue     | 16hrs |
| ◆ Swift Water Rescue (SWR) | 24hrs |

These graduates were selected to attend this school based on our first TRT School entrance exam. This exam was based on, and tested retention of technical rescue knowledge, skills and abilities gained in Recruit School. It consisted of a validated written test, practical test derived from the class provided in Recruit School, VA Department of Fire Program’s (VDFP) Heavy and Technical Rescue (HTR) Introduction to Technical Rescue Module II, and the current VDFP HTR standard swim test. The overall flow of the TRT school using this new format and the quality of the end product was outstanding.

## Upgraded Personnel qualified as Technical Rescue Operations (TRO) to TRT

When this initiative began less than 10% of our Technical Rescue personnel were TRTs. TRO personnel are trained to the Operations level for technical rescue, whereas TRT personnel are trained to the higher Technician level, to include Swift Water Rescue. At this point 63% of personnel assigned to technical rescue units are TRTs. 14 of these TRTs were the product of the TRT school and the remainder were existing TRTs or TROs that completed various Technician level courses that they were missing to complete their training. Most of these completed courses were a part of the TRT school. Given that there were only 14 personnel assigned to the school that left 10 or more slots open for TROs working toward their TRT designation.



## **2 Hazardous Materials (HAZMAT) Technician Schools**

2 HAZMAT Technician (HMT) schools were conducted, the first jointly with Loudoun County and MWAA. The joint class was hosted by Loudoun County in the fall of '21 where 14 of the graduates were from DFR. DFR hosted a second class here in the county this past Spring where we graduated 11 for a total of 25 new HMTs in FY22. Each of these classes was 80 hours with additional 40 hours of internship training.

## **Task books fully implemented System Wide for HAZMAT Technicians and TRO/TRT Personnel (includes Swift Water)**

TRO/TRT and HMT Task books were implemented in FY20. The first year these were mandatory was originally January 2021. However, given the challenges of the COVID-19 pandemic we elected to postpone mandatory completion. Both the TRO and HMT task books must be completed by all TRO/TRTs and HMTs by January 2022. The purpose of each task book is to establish a training roadmap while simultaneously documenting proficiency in each of the major aspects of their respective disciplines. TRO task books were made mandatory for the Volunteers beginning this calendar year.

## **Established VA Department of Emergency Management (VDEM) Swift Water / Flood Rescue Team**

In 2019 VDEM offered a VDHS grant to establish a Swift Water/ Flood Rescue Team. We signed a MOU with VDEM to provide a FEMA Type III team. The purpose of this team is to provide and receive assistance from the Commonwealth for flooding and water rescue events. This team is also deployable to other localities outside of Virginia when requested. There are currently 30 DFR members assigned to this team.

## **2022 Rescue Challenge Participation**

Rescue Challenge Virginia was held in Central VA on May 2-5, 2022. DFR sent a team of 10. Our personnel worked with Arlington County FD and Alexandria FD.

Rescue Challenge is a high-level multi-discipline training event where more than 10 technical rescue teams from Virginia, Maryland, New Jersey, Ohio and participated in 8 different scenarios throughout a 4-day period with limited guidelines and little to no interference. The scenarios were set up at different locations around Central Virginia and provided some of the best possible training evolutions. The scenarios included a wide range of problems including tower rescue, Rope or high angle rescue, heavy equipment incidents, Wide area search and rescue, and industrial entrapment. The teams that attend RQC are composed of members that make up local and regional strike teams and task forces throughout Virginia and the surrounding states.

## **Significant refresh of SWR equipment and personal protective equipment (PPE)**

This was a project that began in FY20 and was completed in FY22. With the reorganization of our Swift Water Rescue Program, it was discovered that our PPE was in a state of disrepair and disorganization. We purchased 3 boat packages, approximately 80 dry suits, 55 personal floatation devices, helmets, communication equipment, boots, and various other items necessary to get the program back on track. This equipment along with existing equipment was distributed to all 5 Swift Water Stations with provided training and a management plan as a guideline to ensure equipment would be maintained in an organized and uniform manner.



## COMMUNITY SAFETY

- ◆ Demobilized and transitioned back to routine operations on March 15th after 729 days of emergency activation for COVID-19 operations. COVID-19 operational support during FY22 included site support for two COVID-19 vaccination sites, periodic support of temporary COVID-19 testing and vaccination events, and distribution of tens of thousands of items from the EOC Warehouse, such as personnel protective equipment, hand sanitizer, and face coverings.
- ◆ Consolidated COVID-19 supplies into a single, expanded EOC warehouse facility that will enable long-term site support and emergency response and recovery activities.
- ◆ In coordination with County Finance, continued to facilitate COVID-19 cost recovery activities, including close-out of CARES Act funding for emergency response, ongoing Public Assistance Program reimbursement under the Federal Emergency Management Agency disaster declaration.
- ◆ In coordination with the Department of Public Works, facilitated the County's 5-year cycle visit for the National Flood Insurance Program's (NFIP) Community Rating System (CRS), a voluntary incentive program that recognizes and encourages community floodplain management practices that exceed the minimum requirements of the NFIP. As a result of enhanced planning, preparedness, and community education activities this cycle visit, an improved CRS rating is expected, which will provide an additional discount on flood insurance premium rates in the community.
- ◆ Installed and implemented phase two of the County's Automated Flood Warning System, which added six additional stream stage sensors and three additional rain gauges to the system.
- ◆ Implemented an Incident Command System (ICS) curriculum training cadre of multidisciplinary instructors across FRS, Police, Public Health, Public Works, and Emergency Management stakeholders. Successfully delivered four ICS 191/300/400 courses.
- ◆ Developed and facilitated a table-top exercise for all county-owned *significant and high hazard* dams to ensure compliance with Virginia Code.
- ◆ Continued to manage the revision of the Northern Virginia Hazard Mitigation Plan (HMP) as the lead agency among 21 counties, cities, and towns in Northern Virginia.
- ◆ Over 500 Fire protection plans reviewed.
- ◆ Completed three major Process Action Teams (PATs) with Development Services; including Industry and Stakeholder groups and representatives which resulted in multiple Building Development Policies or updates.
- ◆ Completed over 4,200 new construction inspections. Approx. 10% were completed same day or piggyback to meet needs of owner or developer, including the final occupancy inspection.





- ◆ Completed 3,132 Code Compliance (ECI/SIP) inspections. Approximately 35% resulted in follow up by other PWC Agencies (Including Property Code and Building Code Enforcement).
- ◆ Inspected and Delivered 502 Fire Operational Permits.
- ◆ Investigated 164 incidents (Fire, Explosions, Environmental) We had 31 arsons with 21 arrests with an approximate 70% solvability rate (National average 21.1%; 2020 data most current).
- ◆ Closed two major arson cases through adjudication. Aden Road vehicle arson (Profit/Financial scheme), Bashir/CSB case (Targeting, Threat, Intimidation).
- ◆ Chaired the NOVA FM Committee and developed regional training programs for required 1031 and 1033 training.
- ◆ Collaborated with Hazmat Operational staff to improve record keeping/documentation.
- ◆ Initiated the rebirth of the Local Emergency Planning Committee after the COVID Pandemic.
- ◆ Collaborated with Prince William Area Agency on Aging to continue enhancing and promoting Seniors Fire and Life Safety Program for PWC senior communities and PWCFRS field personnel.
- ◆ Collaborated with American Red Cross on the planning of the 'National Sound the Alarm' in PWC.
- ◆ Created several Fire and Life Safety videos for PWCFRS social media and continued collaborating with Public Information events in providing Facebook LIVE.
- ◆ Assisted members of the Metropolitan Washington Council of Governments (MWCOC) Life Safety Educators Group in the coordination and execution of various public education events, i.e., Dulles Plane Pull and the National Air & Space Museum's Air & Scare, etc.
- ◆ Participated in numerous public community events.
- ◆ Coordinated the 2022 Toys for Tots Program.

## SYSTEMS SUPPORT

- ◆ Implemented the new Q-Tel (TraQ) ordering and tracking system. This automated system replaced the paper ordering process used to place all EMS, PPE, and uniform orders.
- ◆ Completed the Facility Condition Assessment (FCA) project. The FCA scope of work included an independent review of the condition of FRS properties. It also included an ASHRAE Level 1 Energy Audit of each facility. The primary purpose of the FCA is to identify visually apparent deficiencies in the building and site systems and to provide an opinion of required expenditures over the next 10 years.
- ◆ Obtained system-wide compliance with FRS Policy and Procedure 4.8.3 – Medical Evaluation Program. The requirement for incumbent FRS operational members to have a NFPA 1582 Standard Medical Clearance and respirator fit test was previously suspended due to the COVID-19 pandemic.
- ◆ Updated FRS Policy and Procedure 4.0.2 – Fire and Rescue System Chaplain Program. The purpose of this policy and procedure is to establish a policy that defines the onboarding process, roles, responsibilities, and utilization of the FRS Chaplains.





- ◆ Drafted FRS Policy and Procedure 1.1.11 – Risk Incident Reporting and Review. The purpose of the policy is to establish a comprehensive manual (Red Book) that provides an overview of the risk management processes within the FRS and provides practical and centralized guidance for the identification, evaluation, and mitigation of risk.
- ◆ Conducted DFR promotion process for rank of Captain. 35 qualified candidates.
- ◆ Conducted DFR promotion process for rank of Lieutenant. 49 qualified candidates.
- ◆ Implemented change to Technician I hiring process to continuous (year round) hiring model.
- ◆ Developed and implemented an Early Hire Program as part of the Technician I hiring process.

## OFFICE OF THE CHIEF

- ◆ Facilitated the Organizational Culture Survey to identify the current and future organizational culture profile of the Department of Fire and Rescue.
- ◆ Revised and enacted DFR Policy 4.0.2 Anti-Substance Abuse Program to address changes to the Virginia State laws regarding the use of marijuana. FRS Policy 4.0.1 Anti-Substance Abuse Program was also updated and is currently in the process of being reviewed and enacted.
- ◆ Initiated the process to achieve System wide compliance with FRS Policy 1.4.1.
- ◆ Provided necessary information to Executive Management regarding the appeal of FRS Policy 5.1.33 *Battalion Chief and Incident Safety Officer Vehicle and Station Housing Policy*.
- ◆ Provided quarterly updates to the FRS Executive Committee on the progress of the strategic plan.
- ◆ Assisted Community Safety with the ISO evaluation.
- ◆ Obtained licenses for the FRS to start utilizing Power DMS.



## YORKSHIRE VOLUNTEER FIRE & RESCUE

### Recruitment

The Yorkshire Volunteer Fire Department is excited to announce that in 2022 our recruitment drive provided us with 10 solid members. Of the 10 members, 3 came with their EMT cert and two came to us with both their EMT and Firefighter certifications. In this day and age, it is often difficult to get members on board that we can move into an essential operational position within months, not years. For those who came with no certifications, we are excited by the level of enthusiasm that they have to progress into taking their initial EMT/FF certification. Our department has already sent out additional mail flyers for our next recruitment meet/greet .

## NOKESVILLE VOLUNTEER FIRE & RESCUE

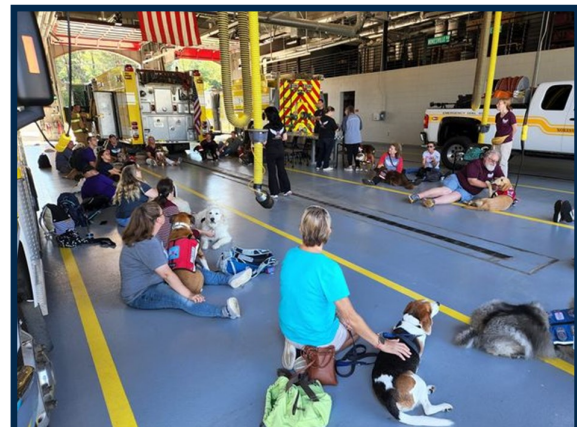
### Safety & Trains

Nokesville’s Volunteer Firefighters learned how to operate safely around trains. Thank you to Norfolk-Southern for hosting this class.



### American K9 Caring Angels

Nokesville Volunteer Fire and Rescue hosted American K9 Caring Angels using our Fire Station to help get new dogs accustom to different environments.

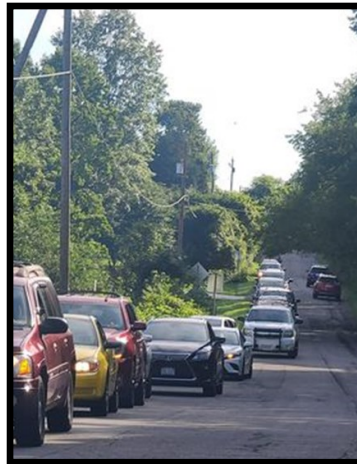






## 4:12 Kids Charity

Nokesville Volunteer Fire and Rescue supported the 4:12 Kids Charity in their Back to School Drive Thru Giveaway hosted at Fire Station 5.



## Cars and Coffee

What an amazing day! Cars and Coffee -Woodbridge, VA arrived at our Nokesville Volunteer Fire Department's Station 25 with over 70 amazing cars. They met with Santa and donated hundreds of toys for Toys for Tots.





## OCCOQUAN-WOODBRIDGE-LORTON VOLUNTEER FIRE DEPARTMENT

- ◆ Received exemplar service awards, including the 2021 Virginia Fire Service Award for Outstanding Volunteer Fire Department Response for a call that occurred on June 27, 2021, involving A502, M514, E502, and R502 where critical quick decisions were made outside the box which resulted in the saving of three lives (and one cat). The crews also received a Prince William Chamber of Commerce Valor Bronze Award.
- ◆ A502B and R502 received a Unit Citation for a Fire Service call where crews assisted an adult feeling physically ill and unable to exit a hand capped accessible tub through the door of the tub due to size and limited opening of the doorway. When attempts to lift the patient failed, the crews utilized their training knowledge and problem-solving abilities to extricate the patient in the quickest, least damaging, and safest way possible.
- ◆ Department Chief Wayne Haight and Assistant Chief Justin Witt graduated from the Virginia Fire Officer Academy (VFOA).
- ◆ Created a Communications and Community Outreach Division. Under an appointed vice president, the department's social media, website, public relations, public events and recruitment and retention efforts are more successful.
- ◆ Continued the tradition of helping River Ridge, a 55+ community, with changing batteries in their smoke and carbon monoxide detectors.
- ◆ In early January 2022, OWL responded to I-95 to assist drivers who were stranded during a winter storm. ATA 502 was one of the only vehicles able to deliver food, water and medical supplies.
- ◆ OWL's Marine Division assisted with several events on local waterways such as the PWC Police Department's Polar Plunge, Patriot Cruise and Salute for wounded service members, the Kickin' Bass Tournament at Leesylvania State Park to benefit the LE Torch Run and Special Olympics Virginia, etc.
- ◆ Provided public education and information during an interview, with one of our bilingual EMS Lieutenants, on Panorama Latino, a local television show for the Spanish-speaking community.
- ◆ Assisted the community with several EMS Standbys to include the U.S. Marine Corps 17.75K at Prince William Forest Park, U.S. Army 10-Miler: Medic 512 at the Pentagon, Washington, D.C., and the 47th Annual Marine Corps Marathon in Arlington, Tunnel to Towers Fundraising event, etc.
- ◆ Honor Guard participated in the National Fallen Firefighters Memorial Weekend in which Life Member John Neyhouse was honored for his 9/11 Service.
- ◆ Received over 100 new applications for membership and more than 80 new members voted in probationary status.
- ◆ Implemented Ben's Blue Bags on various apparatus for patients with autism. Fox 5 DC covered this event.







## DALE CITY VOLUNTEER FIRE DEPARTMENT

- ◆ In January, the Dale City Volunteer Fire Department's Recruit Class 22041 graduated with 4 new members joining our ranks.
- ◆ Received and placed in service our new apparatus, Ambulance 520.
- ◆ Assisted the Department of Fire and Rescue during the Toys for Tots Drive.
- ◆ Held Open House, at our various fire and rescue stations, commemorating Fire Prevention Month.
- ◆ Honor Guard participated in several community events throughout the year, i.e. Mission BBQ Honoring 9/11 Victims and Heroes, Dale City 4th of July Parade, etc.
- ◆ Chief Hool awarded some special awards this year during our Annual installation of Officers. The awards presented were for Officer of the Year, Firefighter of the Year, EMT of the Year, Cadet of the Year and the Joseph Quigley Award.





# PRINCE WILLIAM | AWARDS

Fire & Rescue System

## Valor Awards

### Valorous Unit Award & Silver Award



### Valorous Merit Award & Bronze Award



C

Y

2

0

2

2





### Valorous Unit Award



**Medal Day Ceremony** visit <https://youtu.be/Ug7pzgOz114>





# PRINCE WILLIAM | APPARATUS

Fire & Rescue System

## New Apparatus

### PRINCE WILLIAM COUNTY FIRE AND RESCUE



**Brush 515**



**Truck 523, Engine 506, Engine 522, Engine 523, and Engine 524**

C

Y

2

0

2

2





Medic 522



Rescue 522





**DALE CITY VFD**



**Ambulance 520**



**Truck 520**





**OCCOQUAN-WOODBRIDGE-LORTON VFD**



**Tower 512**



**All -Terrain Ambulance 502**





### YORKSHIRE VFD



Engine 508

### DUMFRIES TRIANGLE VFD



Engine 503

*Apparatus photographed by Andrew Sanders Photography*



### Rescue Tool Upgrades

Nokesville Volunteer Fire and Rescue volunteers deployed new rescue tools on Tower 525 to help provide improved services.





## APPARATUS ON ORDER

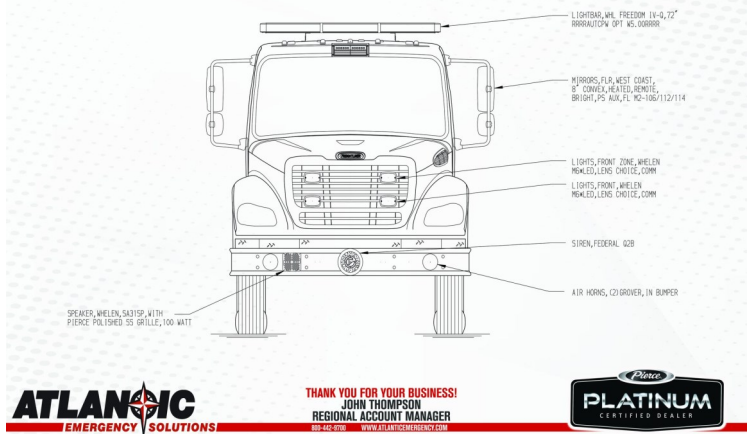
### Nokesville VFD



2 Engines

### PRINCE WILLIAM COUNTY FIRE & RESCUE (VA)

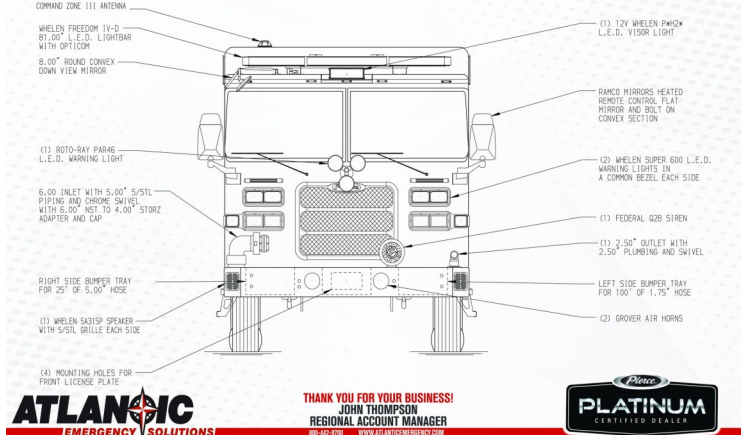
PIERCE FREIGHTLINER TANKER (3000 GALLONS)



1 Tanker

### PRINCE WILLIAM COUNTY FIRE & RESCUE (VA)

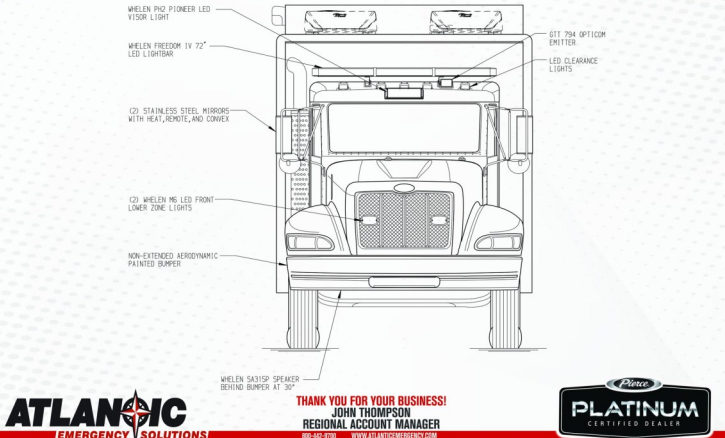
(2) PIERCE ARROW XT PUMPERS (750 GALLONS)



2 Pumpers

### PRINCE WILLIAM COUNTY FIRE & RESCUE (VA)

PIERCE FREIGHTLINER REHAB UNIT



1 Rehab Unit

Additional Units Ordered  
(schematics not pictured)

1 Foam Unit  
3 Medic Units



C

Y

2

0

2

2

**PUBLIC EDUCATION PROGRAMS**

**LEARN NOT TO BURN SECOND GRADE PROGRAM**

At the beginning of each school year, PWCDFR members reach out to local elementary schools, in their first due area, to teach important lifesaving skills to children such as Smoke Alarms, Home Escape, 911 and Burn Prevention.

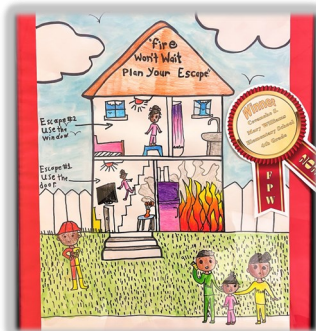


**SOUND THE ALARM/SMOKE ALARM PROGRAM  
w/AMERICAN RED CROSS**

FRS members, in conjunction with American Red Cross volunteers, visit local impoverished neighborhoods to ensure residents have working smoke detectors.

**INTERNATIONAL WALK TO SCHOOL DAY**

In celebration of International Walk to School Day, fire and rescue personnel walk with elementary school students at various schools throughout the county. The event focuses on bringing awareness of the need for safe routes for children who walk, bike or roll to school.



**FIRE PREVENTION WEEK**

The PWCERS annually teams up with the National Fire Protection Association (NFPA), to promote Fire Prevention Week observed each year during the week of October 9th in commemoration of the Great Chicago Fire. The campaign provides the public with various fire and life safety prevention messages and events held at local fire stations. This year in observance of the 100th Anniversary of Fire Prevention Week, PWCERS held our weekly events, Saturday open houses and a poster contest for elementary schools. The contest was centered around this year's theme, "Fire Won't Wait, Plan Your Escape!" The contest winner was 4th Grade Cevaneke Stephens of Mary Williams Elementary School in Dumfries, Virginia.





Community Engagement is vital to public safety organizations. Building a rapport with the public (our residents, businesses and visitors) through direct engagement, helps to strength our relationships within the various surrounding communities and adjacent jurisdictions in which we work, live and play. Strong relationships build trust and confidence among those we serve that the needs of the community will be met with high-quality and efficient services encompassing firefighting, emergency medial services, and emergency preparedness/management. Listed below are a few activities providing our residents the opportunity to engage with their Fire & Rescue System.

### FIRE & RESCUE SYSTEM COMMUNITY ENGAGEMENT & ACTIVITIES



#### **INOVA BLOOD DONOR SERVICES & AMERICAN RED CROSS BLOOD DRIVE**

Throughout the year, the Prince William County Fire and Rescue System partners with INOVA Blood Donor Services and American Red Cross to host blood drives for participation by fire and rescue personnel.

#### **CADET PROGRAM**

The Cadet Program prepares high school students for a career in fire related emergency services through instruction and practical exercises related to the Virginia Department of Fire Programs lesson plan, Firefighter I and II. Students are able to work under independent supervision while in a school setting. In addition, students will have the opportunity to supervise and assist the instructor with curriculum oversight and act as a substitute instructor during the absence of the lead instructor.



#### **RIDE ALONG PROGRAM**

The Ride Along enables the public to ride as a passenger alongside fire and rescue personnel during one of their shifts. The program was designed to pique interest among individuals who are considering a career as a Firefighter/EMT. Riders experience, up close, what it's like to be on the scene of a fire or an emergency incident. All precautions are taken to secure the health and well-being of passengers.



#### **ALUMINUM CANS FOR BURNED CHILDREN (ACBC)**

The ACBC program came to Washington in 1988; PWCDFR began its participation in 1989. All PWCFRS stations provide collection containers for use by the public. Aluminum cans are collected 2-4 times a year and recycled at Potomac Metals in Manassas. All monies raised help local children who are burn survivors. In CY2022, the Prince William County Fire and Rescue System raised nearly \$1,000 for ACBC.



### CENTRAL VIRGINIA BURN CAMP (CVBC)

The first CVBC camp was started in 1994; PWCDFR personnel began attending in 2004. The June summer camp is a week long event held for burn survivors ages 7-17. CVBC also provides a winter camp for teens, held annually during Martin Luther King weekend. Annually, a \$250 scholarship is awarded to a high school graduate camper.



### FILL THE BOOT

Fill the Boot is a Muscular Dystrophy Association program. Members of the Prince William Professional Fire Fighters Local 2598 have partnered with the association to raise money for the MDA NOVA regional office to provide vital treatment, care and equipment for local children and adults with debilitating neuromuscular diseases. Currently, there are over 100 families in our community who receive assistance. The International Association of Fire Fighters (IAFF) has partnered with MDA since 1954 through the Fill the Boot Program.

### TOYS FOR TOTS

The Prince William County Fire & Rescue System is an official sponsor of the Marine Corps Reserve Toys for Tots campaign. The campaign provides the community an opportunity to donate new unwrapped toys, during the Christmas holiday, to children in need. The public is encouraged to participate by dropping off their contribution at various local fire and rescue stations and county buildings. Toys are delivered to families in PWC and the surrounding region through local churches, and non-profit organizations by way of USMC Quantico Toys for Tots. The campaign runs mid-October to mid-December. This year's campaign collected 17,205 toys.







# PRINCE WILLIAM | IN MEMORY OF

Fire & Rescue System

C

Y

2

0

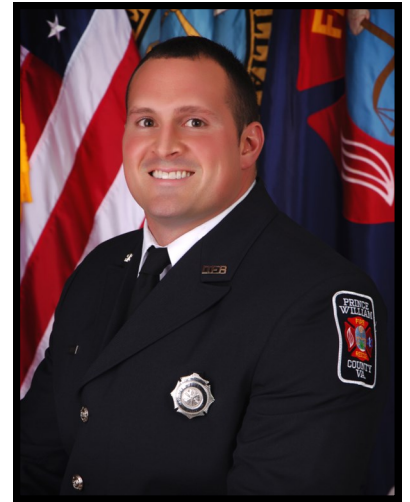
2

2

## Derek Shifflett

Technician II Derek Shifflett joined the Department in 2008 and served admirably in assignments at Stations 20, 12, 4, 25, 23, 24, and 11. Derek's devotion to serving others was an inspiration to all who knew him.

End of Watch: October 12, 2022



## Pete Shires

Retired Logistics Manager Pete Shires began his career with Prince William County in November of 2004. He took great pride to ensure our Fire and Rescue System was prepared, outfitted with the best, and that we always had what we needed. Pete displayed his dedication to the System, the Department, and the citizens of Prince William County each and every day.

End of Watch: November 2, 2022

## Tom Hennessy

Nokesville Volunteer Fire and Rescue lost an active firefighter and longtime member Tom Hennessy. For 15 years Master Firefighter Tom Hennessy served the community as Volunteer Firefighter giving 100% when called upon.

End of Watch: April 21, 2022





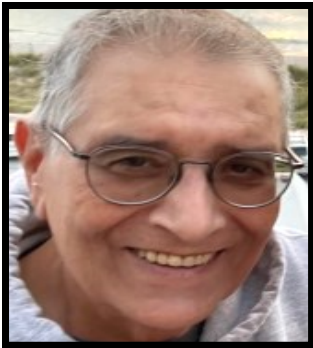
### Barbara “BJ” Brown

BJ joined the Dale City Volunteer Fire Department (DCVFD) in 1990. She worked through the EMS officer ranks and became the Deputy Chief of EMS for the department in 2005 until her retirement to take care of her family in 2020.

BJ was instrumental in progressing the EMS service in Dale City, Prince William County, NOVA region and at the Virginia Office of EMS level before retiring. One of her biggest achievements was creating LVAD emergency response procedures for the region and taught the LVAD program around the country.



End of Watch: August 19, 2022



### James “Jim” Delaverson

Jim joined the Dale City Volunteer Fire Department (DCVFD) in 1989 and served as an EMT and eventually as the Deputy Chief of Administration faithfully until his passing. His devotion to the department and community was second to none. He became a Life Member of DCVFD in 2000. His wife, Margaret, served with him for 15 years.

End of Watch: November 19, 2022



C

## Office of the Chief

Prince William County Fire & Rescue System  
1 County Complex Court  
Prince William, Virginia 22192  
703-792-6800  
DFRMccoartAdmin@pwcgov.org

Y

## Fire Marshal's Office

703-792-6360

## Office of Emergency Management

703-792-5627  
emergencymanagement@pwcgov.org

2

## Public Education

703-792-6360  
frspubedrequest@pwcgov.org

0

## Recruitment

703-792-8392  
FireRescuejobs@pwcgov.org

## Training

703-792-6380  
DFRTraining@pwcgov.org

2

## Websites

fireandrescuesystem.pwcva.gov  
pwcva.gov/department/fire-rescue

## Social Media

Facebook  
facebook.com/PWCFireRescue



Twitter  
twitter.com/PWCFireRescue



2





# JOIN US

| [fireandrescuesystem.pwcva.gov](http://fireandrescuesystem.pwcva.gov)

| [pwcva.gov/department/fire-rescue](http://pwcva.gov/department/fire-rescue)

